



## ASX ANNOUNCEMENT

17 October 2017

### **Copper-Cobalt Belt over 25km strike near Broken Hill**

- **58 rock chip samples with greater than or equal to 2% copper with a maximum value of 37.7% at Fairy Hill**
- **90 rock chip samples contain greater than or equal to 200 ppm cobalt with a maximum value of 0.23% at Parnalleroo**
- **8 prospects identified; 4 enriched in copper and cobalt, 4 enriched in copper**
- **Highlights regional Copper-Cobalt potential at Broken Hill**

**Silver City Minerals Limited (ASX: SCI) (“Silver City” or “the Company”)** is pleased to announce that detailed research of historic exploration data has identified a 25 kilometre belt which hosts copper-cobalt and copper mineralisation within its Yalcowinna exploration licence (EL 8078). The EL is located approximately 40 kilometres northeast of Broken Hill.

The mineralised belt hosts six copper and copper-cobalt prospects which have been identified on the basis of their geology and rock geochemistry (Figure 1; Table 1). Two additional zones outside the belt are also recorded. The mineralisation in these prospects has been identified in the past and classified by the NSW Geological Survey as either Great Eastern-type (pyrite, Cu-Co) or vein-type Cu mineral occurrences. Significant results from surface rock chip samples include:

- Yalcowinna Creek
  - Copper; **11.9%, 6.9%, 4.6% and 3.7%**
  - Cobalt; **1650 ppm, 1500 ppm, 1200 ppm and 1100**
- Smiths Well
  - Cobalt; **1400 ppm, 1200 ppm, 800 ppm and 650 ppm**
- Parnalleroo
  - Copper; **3.6% and 2.3%**
  - Cobalt; **2340 ppm, 550 ppm and 460 ppm**
- Fairy Hill
  - Copper; **37.7%, 18.5%, 14.9%, 12.7% and 10.7%**

- Son of Man
  - Copper; **3.6%, 2.9%, 2.8% and 2.6%**
  - Cobalt; **1100 ppm, 618 ppm and 270 ppm**
- Mt Brown Creek
  - Copper; **9.7%, 8.6% and 4.0%**
- Mt Brown
  - Copper; **10.4%, 4.5% and 2.6%**
- Hornsby/Sherman Tanks
  - Copper; **7.9%, 7.8%, 4.7% and 4.2%**

The Yalcowinna exploration licence encompasses an area of 146 square kilometres. Historic data is derived from reports on exploration dating back to the 1980s and includes 126 samples from Silver City sampling programs. The historic programs were focussed on copper and copper-gold mineralisation with little attention paid to cobalt. A total of 723 rock samples were analysed. Results indicate:

- **One hundred and seven (107) or 14% of all samples contain greater than or equal to 0.5% copper. Fifty eight (58) samples returned 2% copper or more with a maximum value of 37.7% recorded at Fairy Hill.**
- **Ninety (90) or 12% of all samples contain greater than or equal to 200 ppm cobalt with a maximum value of 0.23% cobalt recorded at Parnalleroo.**

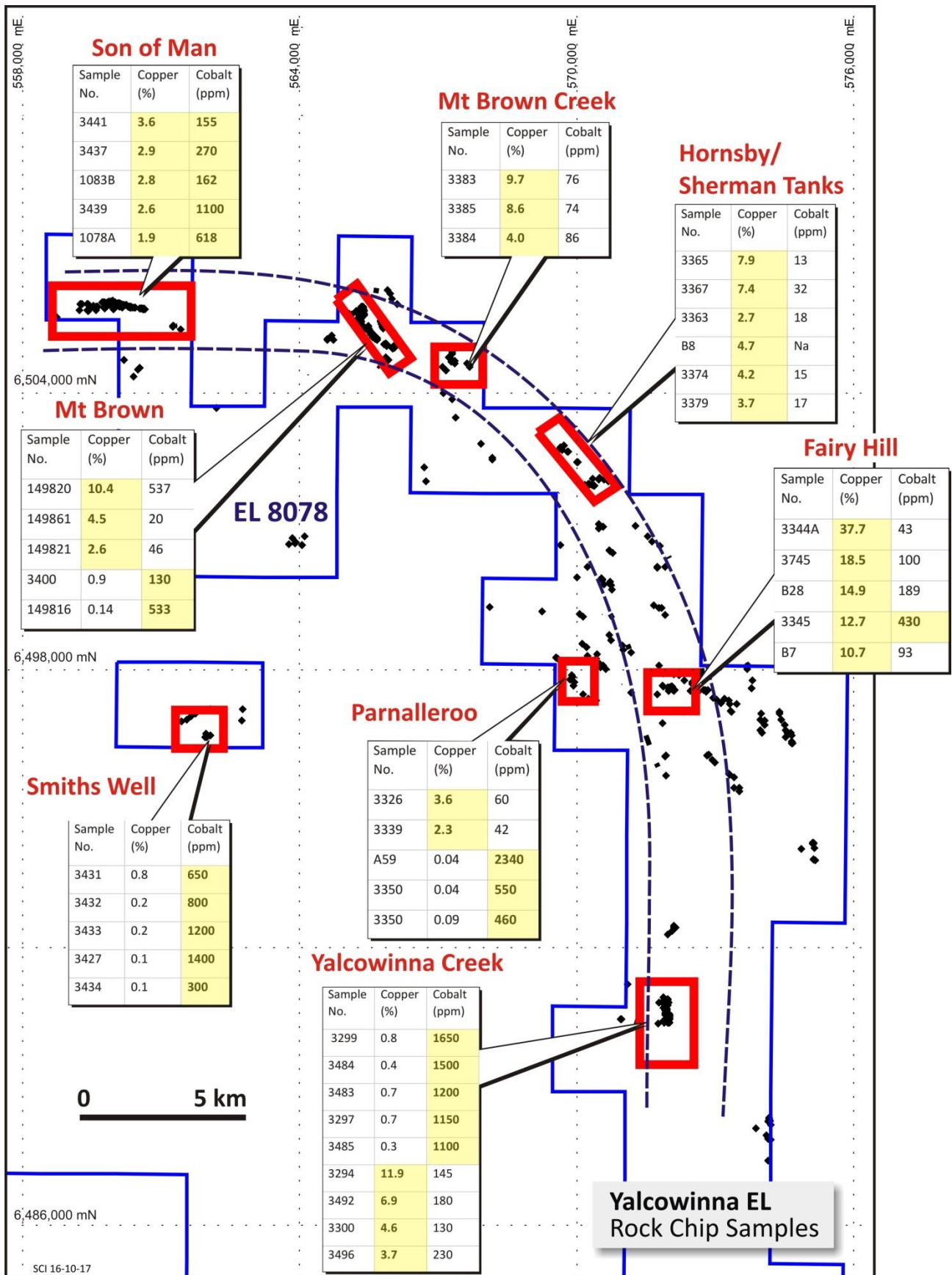
Managing Director Chris Torrey commented...*"the results presented here represent a detailed collation of data from historic reports in addition to sampling by Silver City. This is similar to the work carried out earlier this year which unearthed the old Copper Blow project south of Broken Hill and is a testament to the abundance of high quality data hidden away in old reports. Any one of the prospects outlined here has potential to be another "Copper Blow" and possibly the first modern copper or copper-cobalt mine at Broken Hill"*.

### **Work by Silver City**

The Company has undertaken preliminary work on two of prospects listed here; Yalcowinna Creek and Mt Brown. Drilling was undertaken at Mt Brown (ASX 3 April 2012 and 5 May 2013) to assess lead-zinc-silver potential in the central and southern part of the prospect and did not focus on higher grade copper values located further to the north.

### **Future Work**

The eight prospects outlined all require more detailed follow-up sampling and geological evaluation. The Company anticipates preliminary work in November.



**Figure 1** Exploration Licence 8078 Yalcowinna. Diagram shows an arcuate belt which hosts copper and copper-cobalt prospects. Boxes highlight elevated copper and cobalt values. A more comprehensive list is included in Table 1.



Plate 1 Fairy Hill workings showing abundant copper carbonate mineralisation

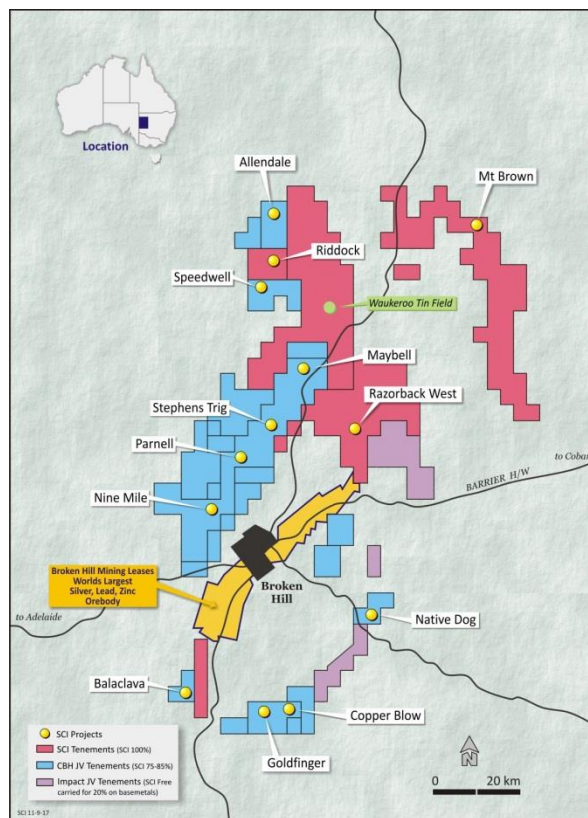


Figure 2. Silver City Tenements at Broken Hill. Yalcowinna is the easternmost licence

Table 1. Table of significant rock chip samples from within Yalcowinna Exploration Licence. Includes samples  $\geq 0.5\%$  copper those with  $\geq 500$  ppm cobalt. Samples  $\geq 2\%$  Cu or 400 ppm Co are highlighted

Sample ID	Easting	Northing	Cu %	Co ppm	Prospect
3344A	571744	6497476	<b>37.70</b>	43	Fairy Hill Mine
3745	572033	6497617	<b>18.50</b>	100	Fairy Hill
B28	571994	6497559	<b>14.90</b>	189	Fairy Hill Mine
3345	571856	6497659	<b>12.70</b>	<b>430</b>	Fairy Hill Mine
3294	571959	6490837	<b>11.90</b>	145	Yalcowinna Creek
B7	571735	6500214	<b>10.67</b>	93	Fairy Hill Mine
3298	571941	6490685	<b>9.96</b>	190	Yalcowinna Creek
3344	571866	6497655	<b>9.62</b>	54	Fairy Hill Mine
3383	567350	6504633	<b>9.07</b>	76	Mt Brown Creek
3742	572025	6497623	<b>8.15</b>	100	Fairy Hill
3385	567295	6504855	<b>8.06</b>	74	Mt Brown Creek
3365	569711	6502856	<b>7.91</b>	13	Hornsby Tank
3739	571973	6497627	<b>7.66</b>	5	Fairy Hill
3741	572006	6497614	<b>7.44</b>	39	Fairy Hill
3367	569674	6502825	<b>7.39</b>	32	Hornsby Tank
3735	572108	6497593	<b>7.06</b>	28	Fairy Hill
3492	571932	6490626	<b>6.94</b>	180	Yalcowinna Creek
3747	572041	6497641	<b>6.46</b>	145	Fairy Hill
3731	572107	6497554	<b>5.87</b>	42	Fairy Hill
3737	572067	6497590	<b>5.61</b>	7	Fairy Hill
B8	570026	6502502	<b>4.71</b>	0	Sherman Tank
3300	571918	6490656	<b>4.55</b>	130	Yalcowinna
3746	572039	6497622	<b>4.53</b>	10	Fairy Hill
3743	572013	6497611	<b>4.52</b>	10	Fairy Hill
3333	572059	6497594	<b>4.43</b>	105	Fairy Hill Mine
3744	572022	6497604	<b>4.37</b>	34	Fairy Hill
3374	570468	6502142	<b>4.21</b>	15	Sherman Tank
B6	572005	6497581	<b>4.18</b>	39	Fairy Hill Mine
3733	572100	6497574	<b>4.03</b>	5	Fairy Hill
3384	567280	6504679	<b>3.99</b>	86	Mt Brown Creek
3372	570341	6502152	<b>3.74</b>	6	Sherman Tank
3379	570688	6502081	<b>3.74</b>	17	Sherman Tank
3496	571942	6490569	<b>3.66</b>	230	Yalcowinna Creek
3441	559780	6505952	<b>3.62</b>	155	Son of Man
B5	572062	6497629	<b>3.49</b>	86	Fairy Hill Mine
3732	572112	6497571	<b>3.44</b>	12	Fairy Hill
3377	570582	6502117	<b>3.13</b>	28	Sherman Tank
3306	571951	6490512	<b>3.10</b>	130	Yalcowinna
3740	571997	6497632	<b>3.07</b>	19	Fairy Hill
3326	571905	6496132	<b>3.06</b>	96	Parnalleroo South
3303	571932	6490585	<b>2.99</b>	140	Yalcowinna
3437	560349	6505870	<b>2.87</b>	270	Son of Man
1083B	560285	6505869	<b>2.81</b>	162	Son of Man
3363	569711	6502856	<b>2.72</b>	18	Hornsby Tank
3439	560181	6505912	<b>2.62</b>	<b>1100</b>	Son of Man

Sample ID	Easting	Northing	Cu %	Co ppm	Prospect
3378	570674	6502113	<b>2.59</b>	44	Sherman Tank
3380	570373	6501996	<b>2.56</b>	5	Sherman Tank
3481	571963	6490870	<b>2.56</b>	280	Yalcowinna Creek
3493	571926	6490617	<b>2.47</b>	80	Yalcowinna Creek
3364	569711	6502856	<b>2.37</b>	6	Hornsby Tank
3339	570582	6499865	<b>2.31</b>	42	Penelleroo Creek
3369	569690	6502759	<b>2.27</b>	32	Hornsby Tank
3368	569650	6502820	<b>2.20</b>	4	Hornsby Tank
3373	570472	6502145	<b>2.18</b>	12	Sherman Tank
3296	571961	6490820	<b>2.07</b>	<b>550</b>	Yalcowinna Creek
B3	572062	6497649	1.92	14	Fairy Hill Mine
3371	569814	6502721	1.86	20	Hornsby Tank
1078A	560175	6505900	1.85	<b>618</b>	Son of Man
3482	571955	6490833	1.80	<b>600</b>	Yalcowinna Creek
3448	560537	6504541	1.65	13	Gypsy Maiden
B29	571995	6497559	1.60	31	Fairy Hill Mine
3332	572059	6497594	1.59	34	Fairy Hill Mine
3366	569694	6502845	1.55	43	Hornsby Tank
3302	571918	6490656	1.33	92	Yalcowinna
3491	571935	6490623	1.10	<b>470</b>	Yalcowinna Creek
B10	570380	6501991	1.06	3	Hornsby Tank
3499	571910	6490555	1.06	240	Yalcowinna Creek
3307	571951	6490512	1.03	66	Yalcowinna
17136N_1910E	570541	6499995	1.00	NA	Gardiners Grid
149820	565392	6505716	1.00	<b>537</b>	Mt Brown
149821	565400	6505702	1.00	20	Mt Brown
149861	565505	6505331	1.00	46	Mt Brown
3295	571959	6490837	0.93	<b>600</b>	Yalcowinna Creek
3495	571942	6490569	0.91	<b>350</b>	Yalcowinna Creek
3362	569711	6502856	0.91	29	Hornsby Tank
3400	565675	6505140	0.91	44	Mt Brown
565	574649	6496429	0.90	<b>456</b>	Strip Tank
3305	571925	6490548	0.85	135	Yalcowinna Creek
3299	571937	6490672	0.83	<b>1650</b>	Yalcowinna Creek
3431	561980	6496625	0.82	<b>650</b>	Smiths Well
3399	565598	6505234	0.82	130	Mt Brown
1059	560023	6505897	0.82	BLD	Son of Man
3446	560514	6504521	0.80	13	Gypsy Maiden
1075	560139	6505916	0.77	<b>608</b>	Son of Man
3489	571911	6490641	0.76	125	Yalcowinna Creek
3494	571917	6490587	0.75	60	Yalcowinna Creek
B11	570273	6502028	0.74	8	Hornsby Tank
3497	571950	6490557	0.72	<b>550</b>	Yalcowinna Creek
149868	565540	6505315	0.71	49	Mt Brown
3375	570474	6502135	0.71	8	Sherman Tank
3483	571954	6490824	0.69	<b>1200</b>	Yalcowinna Creek
3297	571959	6490751	0.68	<b>1150</b>	Yalcowinna Creek
B24	571908	6490657	0.68	127	North Golden King

Sample ID	Easting	Northing	Cu %	Co ppm	Prospect
1096	560591	6505828	0.61	<b>402</b>	Son of Man
B30	560157	6505909	0.60	<b>598</b>	Son of Man
3308	571951	6490512	0.58	165	Yalcowinna Creek
3331	572059	6497594	0.58	44	Fairy Hill Mine
3402	560628	6505824	0.58	290	Son of Man
3396	565549	6505305	0.57	58	Mt Brown
3381	567683	6504567	0.57	280	Mt Brown Creek
149867	565558	6505290	0.57	108	Mt Brown
3438	560349	6505870	0.56	390	Son of Man
A60	562072	6496589	0.54	<b>469</b>	South Tuckwells
1088	560341	6505852	0.53	102	Son of Man
B31	560328	6505839	0.52	312	Son of Man
149870	565564	6505288	0.51	91	Mt Brown
3401	565677	6505181	0.46	<b>1000</b>	Mt Brown
3484	571959	6490808	0.44	<b>1500</b>	Yalcowinna Creek
3485	571981	6490803	0.26	<b>1100</b>	Yalcowinna Creek
3432	562002	6496560	0.22	<b>800</b>	Smiths Well
3433	562067	6496584	0.20	<b>1200</b>	Smiths Well
3486	571952	6490773	0.16	<b>600</b>	Yalcowinna Creek
3427	561439	6496895	0.15	<b>1400</b>	Smiths Well
A61	561962	6496559	0.14	<b>1250</b>	South Tuckwells
149816	565369	6505802	0.14	<b>533</b>	Mt Brown
A59	569912	6497859	0.04	<b>2340</b>	Parnalleroo
3350	569882	6497894	0.04	<b>550</b>	Parnalleroo West
29267	574325	6481138	0.03	<b>708</b>	Matong

## SILVER CITY MINERALS LIMITED



**Christopher Torrey**  
Managing Director

### **ABOUT Silver City Minerals Limited**

*Silver City Minerals Limited (SCI) is a base and precious metal explorer with a strong focus on the Broken Hill District of western New South Wales, Australia. It takes its name from the famous Silver City of Broken Hill, home of the world's largest accumulation of silver, lead and zinc; the Broken Hill Deposit. SCI was established in May 2008 and has been exploring the District where it controls Exploration Licences through 100% ownership and various joint venture agreements. It has a portfolio of highly prospective projects with drill-ready targets focused on high grade silver, gold and base-metals, and a pipeline of prospects moving toward the drill assessment stage. The Company continues to seek out quality projects for exploration and development.*

### **Caution Regarding Forward Looking Information.**

*This document contains forward looking statements concerning Silver City Minerals Limited. Forward-looking statements are not statements of historical fact and actual events and results may differ materially from those described in the forward looking statements as a result of a variety of risks, uncertainties and other factors. Forward-looking statements are inherently subject to business, economic, competitive, political and social uncertainties and contingencies. Many factors could cause the Company's actual results to differ materially from those expressed or implied in any forward-looking information provided by the Company, or on behalf of, the Company. Such factors include, among other things, risks relating to additional funding requirements, metal prices, exploration, development and operating risks, competition, production risks, regulatory restrictions, including environmental regulation and liability and potential title disputes. Forward looking statements in this document are based on Silver City's beliefs, opinions and estimates of Silver City Minerals as of the dates the forward looking statements are made, and no obligation is assumed to update forward looking statements if these beliefs, opinions and estimates should change or to reflect other future development.*

### **Competent Persons**

*The information in this report that relates to Exploration Results is based on information compiled by Chris Torrey (BSc, MSc, RPGeo Mineral Exploration), who is a member of the Australian Institute of Geoscientists. Mr Torrey is the Managing Director, a shareholder and full time employee of Silver City Minerals Limited. Mr Torrey has sufficient experience which is relevant to the style of mineralisation and type of deposit under consideration and to the activity which they are undertaking to qualify as "Competent Persons" as defined by the 2012 edition of the "Australasian Code for Reporting of Exploration Results, Mineral Resources and Ore Reserves". Mr Torrey, consents to the inclusion in this Report of the matters based on this information in the form and context in which it appears.*

## **CONTACT DETAILS**

### **Management and Directors**

Bob Besley	Chairman
Chris Torrey	Managing Director
Greg Jones	Non-Executive Director
Ian Plimer	Non-Executive Director
Josh Puckridge	Non-Executive Director
Ivo Polovineo	Company Secretary

### **Registered Office**

Level 1, 80 Chandos Street,  
St Leonards, NSW 2065, Australia  
PO Box 956, Crows Nest, NSW 1585, Australia  
Ph: +61 2 9437 1737  
Fax: +61 2 9906 5233  
Email: [info@silvercityminerals.com.au](mailto:info@silvercityminerals.com.au)  
Web: [www.silvercityminerals.com.au](http://www.silvercityminerals.com.au)



# JORC Code, 2012 Edition – Table 1

## Section 1 Sampling Techniques and Data

Criteria	JORC Code explanation	Commentary
<b>Sampling techniques</b>	<ul style="list-style-type: none"> <li>Nature and quality of sampling (eg cut channels, random chips, or specific specialised industry standard measurement tools appropriate to the minerals under investigation, such as down hole gamma sondes, or handheld XRF instruments, etc). These examples should not be taken as limiting the broad meaning of sampling.</li> </ul>	<ul style="list-style-type: none"> <li>Surface rock chip samples typically referred to as grab samples</li> </ul>
	<ul style="list-style-type: none"> <li>Include reference to measures taken to ensure sample representivity and the appropriate calibration of any measurement tools or systems used.</li> </ul>	<ul style="list-style-type: none"> <li>No measures to ensure representivity were recorded in old reports. SCI samples were collected specifically as characterisation samples to assess the trace element signature of specific styles of mineralisation.</li> </ul>
	<ul style="list-style-type: none"> <li>Aspects of the determination of mineralisation that are Material to the Public Report.</li> </ul>	<ul style="list-style-type: none"> <li>The assay results is Material in this Public Report in that they provide information about trace element distribution and mineralisation potential</li> </ul>
	<ul style="list-style-type: none"> <li>In cases where 'industry standard' work has been done this would be relatively simple (eg 'reverse circulation drilling was used to obtain 1 m samples from which 3 kg was pulverised to produce a 30 g charge for fire assay'). In other cases more explanation may be required, such as where there is coarse gold that has inherent sampling problems. Unusual commodities or mineralisation types (eg submarine nodules) may warrant disclosure of detailed information.</li> </ul>	<ul style="list-style-type: none"> <li>Grab samples nominally comprise 1 to 3 kg of rock material collected from outcrop</li> </ul>
<b>Drilling techniques</b>	<ul style="list-style-type: none"> <li>Drill type (eg core, reverse circulation, open-hole hammer, rotary air blast, auger, Bangka, sonic, etc) and details (eg core diameter, triple or standard tube, depth of diamond tails, face-sampling bit or other type, whether core is oriented and if so, by what method, etc).</li> </ul>	<ul style="list-style-type: none"> <li>No drilling reported in this Public Report</li> </ul>
<b>Drill sample recovery</b>	<ul style="list-style-type: none"> <li>Method of recording and assessing core and chip sample recoveries and results assessed.</li> </ul>	<ul style="list-style-type: none"> <li>No drilling reported in this Public Report</li> </ul>
	<ul style="list-style-type: none"> <li>Measures taken to maximise sample recovery and ensure representative nature of the samples.</li> </ul>	<ul style="list-style-type: none"> <li>No drilling reported in this Public Report</li> </ul>
	<ul style="list-style-type: none"> <li>Whether a relationship exists between sample recovery and grade and whether sample bias may have occurred due to preferential loss/gain of fine/coarse material.</li> </ul>	<ul style="list-style-type: none"> <li>No drilling reported in this Public Report</li> </ul>
<b>Logging</b>	<ul style="list-style-type: none"> <li>Whether core and chip samples have been geologically and geotechnically logged to a level of detail to support appropriate Mineral Resource estimation, mining studies and metallurgical studies.</li> </ul>	<ul style="list-style-type: none"> <li>No drilling reported in this Public Report.</li> <li></li> </ul>
	<ul style="list-style-type: none"> <li>Whether logging is qualitative or quantitative in nature. Core (or costean, channel, etc) photography.</li> </ul>	<ul style="list-style-type: none"> <li>Rock chips were geologically described. Work was qualitative.</li> </ul>
	<ul style="list-style-type: none"> <li>The total length and percentage of the relevant intersections logged.</li> </ul>	<ul style="list-style-type: none"> <li>No drilling reported in this Public Report</li> </ul>

Criteria	JORC Code explanation	Commentary
<b>Sub-sampling techniques and sample preparation</b>	<ul style="list-style-type: none"> <li><i>If core, whether cut or sawn and whether quarter, half or all core taken.</i></li> </ul>	<ul style="list-style-type: none"> <li>No drilling reported in this Public Report</li> </ul>
	<ul style="list-style-type: none"> <li><i>Whether sample sizes are appropriate to the grain size of the material being sampled.</i></li> </ul>	<ul style="list-style-type: none"> <li>For SCI samples, sample sizes are considered to be of appropriate grain size for the material being sampled. This is unknown for historic work</li> </ul>
	<ul style="list-style-type: none"> <li><i>For all sample types, the nature, quality and appropriateness of the sample preparation technique.</i></li> </ul>	<ul style="list-style-type: none"> <li>Sample preparation for SCI samples was appropriate for the style of study being undertaken. In historic reports this is not determined</li> </ul>
	<ul style="list-style-type: none"> <li><i>Quality control procedures adopted for all sub-sampling stages to maximise representivity of samples.</i></li> </ul>	<ul style="list-style-type: none"> <li>No quality control is recorded.</li> </ul>
	<ul style="list-style-type: none"> <li><i>Measures taken to ensure that the sampling is representative of the in situ material collected, including for instance results for field duplicate/second-half sampling.</i></li> </ul>	<ul style="list-style-type: none"> <li>The purpose of grab sampling is to characterise the trace element abundance of specific mineralisation styles. A representative sample is determined visually. Surface samples of copper-rich material are likely to be enriched in copper through weathering processes. Copper carbonate is abundant in many samples. The results may not reflect what occurs at depth in the unweathered sulphide zone.</li> </ul>
	<ul style="list-style-type: none"> <li><i>If non-core, whether riffled, tube sampled, rotary split, etc and whether sampled wet or dry.</i></li> </ul>	<ul style="list-style-type: none"> <li>No drilling reported in this Public Report</li> </ul>
<b>Quality of assay data and laboratory tests</b>	<ul style="list-style-type: none"> <li><i>The nature, quality and appropriateness of the assaying and laboratory procedures used and whether the technique is considered partial or total.</i></li> </ul>	<ul style="list-style-type: none"> <li>For SCI samples Analytical method for 35 elements including base metals was aqua regia ICP-AES and for gold a 30 gram charge fire assay with an AA finish (ALS Global Codes ME-ICP41 and OG46 and Au-AA25 <a href="http://www.alsglobal.com">www.alsglobal.com</a>). Previous explorers used a similar AMDEL methods and aqua regia digest and determination by flame AAS for Au or 30g charge fire assay with AA finish.</li> <li>The nature and quality of the analytical methods are appropriate to style of mineralisation anticipated and are of industry standard.</li> </ul>
	<ul style="list-style-type: none"> <li><i>For geophysical tools, spectrometers, handheld XRF instruments, etc, the parameters used in determining the analysis including instrument make and model, reading times, calibrations factors applied and their derivation, etc.</i></li> </ul>	<ul style="list-style-type: none"> <li>No geophysical tools spectrometers, handheld XRF instruments were used for analytical reporting.</li> </ul>
	<ul style="list-style-type: none"> <li><i>Nature of quality control procedures adopted (eg standards, blanks, duplicates, external laboratory checks) and whether acceptable levels of accuracy (ie lack of bias) and precision have been established.</i></li> </ul>	<ul style="list-style-type: none"> <li>No quality control measures were used</li> <li>Analytical laboratories have their own internal quality control.</li> </ul>
<b>Verification of sampling and assaying</b>	<ul style="list-style-type: none"> <li><i>The verification of significant intersections by either independent or alternative company personnel.</i></li> </ul>	<ul style="list-style-type: none"> <li>No drilling reported in this Public Report</li> </ul>
	<ul style="list-style-type: none"> <li><i>The use of twinned holes.</i></li> </ul>	<ul style="list-style-type: none"> <li>No drilling reported in this Public Report</li> </ul>
	<ul style="list-style-type: none"> <li><i>Documentation of primary data, data entry procedures, data verification, data storage (physical and electronic) protocols.</i></li> </ul>	<ul style="list-style-type: none"> <li>Data is recorded on site using computer storage programmes and backed up at main office.</li> </ul>
	<ul style="list-style-type: none"> <li><i>Discuss any adjustment to assay data.</i></li> </ul>	<ul style="list-style-type: none"> <li>No adjustments have been made</li> </ul>

Criteria	JORC Code explanation	Commentary
<b>Location of data points</b>	<ul style="list-style-type: none"> <li>Accuracy and quality of surveys used to locate drill holes (collar and down-hole surveys), trenches, mine workings and other locations used in Mineral Resource estimation.</li> </ul>	<ul style="list-style-type: none"> <li>SCI used of handheld GPS with accuracy to +- 5 metres. Historic report do not record system used but handheld GPS is likely.</li> </ul>
	<ul style="list-style-type: none"> <li>Specification of the grid system used.</li> </ul>	<ul style="list-style-type: none"> <li>GDA94 MGA Zone 54</li> </ul>
	<ul style="list-style-type: none"> <li>Quality and adequacy of topographic control.</li> </ul>	<ul style="list-style-type: none"> <li>Regional DTM from airborne geophysical surveys and/or Shuttle Radar</li> </ul>
<b>Data spacing and distribution</b>	<p>Data spacing for reporting of Exploration Results. Whether the data spacing and distribution is sufficient to establish the degree of geological and grade continuity appropriate for the Mineral Resource and Ore Reserve estimation procedure(s) and classifications applied.</p>	<ul style="list-style-type: none"> <li>Data spacing and distribution is insufficient to establish a degree of geological continuity appropriate for Mineral Resources and Ore Reserve estimations.</li> </ul>
	<ul style="list-style-type: none"> <li>Whether sample compositing has been applied.</li> </ul>	<ul style="list-style-type: none"> <li>No sample compositing</li> </ul>
	<ul style="list-style-type: none"> <li>Whether the orientation of sampling achieves unbiased sampling of possible structures and the extent to which this is known, considering the deposit type.</li> </ul>	<ul style="list-style-type: none"> <li>No sample orientation data was recorded as the purpose of the sampling was to characterise trace element geochemistry of mineralised rocks</li> </ul>
<b>Orientation of data in relation to geological structure</b>	<ul style="list-style-type: none"> <li>If the relationship between the drilling orientation and the orientation of key mineralised structures is considered to have introduced a sampling bias, this should be assessed and reported if material.</li> </ul>	<ul style="list-style-type: none"> <li>No drilling reported in this Public Report</li> </ul>
<b>Sample security</b>	<ul style="list-style-type: none"> <li>The measures taken to ensure sample security.</li> </ul>	<ul style="list-style-type: none"> <li>SCI samples were collected and stored at a company facility and delivered to the laboratory by a freight forwarding company. Historic reports do no record this information.</li> </ul>
<b>Audits or reviews</b>	<ul style="list-style-type: none"> <li>The results of any audits or reviews of sampling techniques and data.</li> </ul>	<ul style="list-style-type: none"> <li>No audits undertaken</li> </ul>

## Section 2 Reporting of Exploration Results

(Criteria listed in the preceding section also apply to this section.)

Criteria	JORC Code explanation	Commentary
<b>Mineral tenement and land tenure status</b>	<ul style="list-style-type: none"> <li>Type, reference name/number, location and ownership including agreements or material issues with third parties such as joint ventures, partnerships, overriding royalties, native title interests, historical sites, wilderness or national park and environmental settings.</li> </ul>	<ul style="list-style-type: none"> <li>Samples collected from within EL 8078.</li> <li>Native Title extinguished.</li> </ul>
	<ul style="list-style-type: none"> <li>The security of the tenure held at the time of reporting along with any known impediments to obtaining a licence to operate in the area.</li> </ul>	<ul style="list-style-type: none"> <li>The tenure is secure under NSW legislation. There are no known impediments to operate.</li> </ul>
<b>Exploration done by other parties</b>	<ul style="list-style-type: none"> <li>Acknowledgment and appraisal of exploration by other parties.</li> </ul>	<ul style="list-style-type: none"> <li>Detailed rock chip sampling was carried out predominantly by PlatSearch, Newmont, CRAE and SCI. All work was of high quality.</li> </ul>
<b>Geology</b>	<ul style="list-style-type: none"> <li>Deposit type, geological setting and style of mineralisation.</li> </ul>	<ul style="list-style-type: none"> <li>Iron oxide copper-gold, sediment-hosted stratiform copper and intrusion-related copper</li> </ul>
<b>Drill hole Information</b>	<ul style="list-style-type: none"> <li>A summary of all information material to the understanding of the exploration results including a tabulation of the following information for all Material drill holes: <ul style="list-style-type: none"> <li>easting and northing of the drill hole collar</li> <li>elevation or RL (Reduced Level – elevation above sea level in metres) of the drill hole collar</li> </ul> </li> </ul>	<ul style="list-style-type: none"> <li>See body of report (Table 1)</li> </ul>

Criteria	JORC Code explanation	Commentary
	<ul style="list-style-type: none"> <li>○ dip and azimuth of the hole</li> <li>○ down hole length and interception depth</li> <li>○ hole length.</li> </ul> <ul style="list-style-type: none"> <li>● If the exclusion of this information is justified on the basis that the information is not Material and this exclusion does not detract from the understanding of the report, the Competent Person should clearly explain why this is the case.</li> </ul>	<ul style="list-style-type: none"> <li>● The data outlined in Table 1 is restricted to a subset of the entire data reported (723 samples). The purpose of the Public Report is to highlight the elevated nature of copper and cobalt within the licence. The distribution of these is shown on Figure 1. It is unnecessary to give a full listing of samples.</li> </ul>
<b>Data aggregation methods</b>	<ul style="list-style-type: none"> <li>● In reporting Exploration Results, weighting averaging techniques, maximum and/or minimum grade truncations (eg cutting of high grades) and cut-off grades are usually Material and should be stated.</li> <li>● Where aggregate intercepts incorporate short lengths of high grade results and longer lengths of low grade results, the procedure used for such aggregation should be stated and some typical examples of such aggregations should be shown in detail.</li> <li>● The assumptions used for any reporting of metal equivalent values should be clearly stated.</li> </ul>	<ul style="list-style-type: none"> <li>● No weight averaging. Lower cuts for reporting are described for Table 1.</li> <li>● No drilling reported in this Public Report</li> <li>● No metal equivalents were reported.</li> </ul>
<b>Relationship between mineralisation widths and intercept lengths</b>	<ul style="list-style-type: none"> <li>● These relationships are particularly important in the reporting of Exploration Results.</li> <li>● If the geometry of the mineralisation with respect to the drill hole angle is known, its nature should be reported.</li> <li>● If it is not known and only the down hole lengths are reported, there should be a clear statement to this effect (eg 'down hole length, true width not known').</li> </ul>	<ul style="list-style-type: none"> <li>● Grab sampling only, no width measurements</li> <li>● The geometry of the mineralisation outlined in this report no recorded</li> <li>● No drilling reported in this Public Report</li> </ul>
<b>Diagrams</b>	<ul style="list-style-type: none"> <li>● Appropriate maps and sections (with scales) and tabulations of intercepts should be included for any significant discovery being reported These should include, but not be limited to a plan view of drill hole collar locations and appropriate sectional views.</li> </ul>	<ul style="list-style-type: none"> <li>● Body of report</li> </ul>
<b>Balanced reporting</b>	<ul style="list-style-type: none"> <li>● Where comprehensive reporting of all Exploration Results is not practicable, representative reporting of both low and high grades and/or widths should be practiced to avoid misleading reporting of Exploration Results.</li> </ul>	<ul style="list-style-type: none"> <li>● The data outlined in Table 1 is restricted to a subset of the entire data reported (723 samples). The purpose of the Public Report is to highlight the elevated nature of copper and cobalt within the licence. The distribution of these is shown on Figure 1. It is unnecessary to give a full listing of samples.</li> </ul>
<b>Other substantive exploration data</b>	<ul style="list-style-type: none"> <li>● Other exploration data, if meaningful and material, should be reported including (but not limited to): geological observations; geophysical survey results; geochemical survey results; bulk samples – size and method of treatment; metallurgical test results; bulk density, groundwater, geotechnical and rock characteristics; potential deleterious or contaminating substances.</li> </ul>	<ul style="list-style-type: none"> <li>● No other meaningful material is documented. In this Public Report. Further reporting on individual prospects is anticipated once data has been fully collated and investigated.</li> </ul>
<b>Further work</b>	<ul style="list-style-type: none"> <li>● The nature and scale of planned further work (eg tests for lateral extensions or depth extensions or large-scale step-out drilling).</li> <li>● Diagrams clearly highlighting the areas of possible extensions, including the main</li> </ul>	<ul style="list-style-type: none"> <li>● Ground gravity, EM and geological mapping surveys are anticipated</li> <li>● Figure1</li> </ul>

Criteria	JORC Code explanation	Commentary
	<i>geological interpretations and future drilling areas, provided this information is not commercially sensitive.</i>	