



30 NOVEMBER 2017

## FURTHER POSITIVE METALLURGICAL RESULTS AT AUTHIER

- Flotation recoveries over 80% and concentrate grades greater than 6% Li<sub>2</sub>O achieved using unprocessed water from the Authier project site
- Testing demonstrates that unprocessed water from the project site can be utilised on a raw untreated basis
- Pilot metallurgical testing to commence in December 2017. Data will be used for the Definitive Feasibility Study

Sayona Mining Limited (ASX: SYA) ("Sayona" or the "Company") is pleased to report the third phase of metallurgical testing results for the Authier lithium project.

The new results have continued to demonstrate the ability to achieve 6% Li<sub>2</sub>O lithium concentrate grades at 80% metallurgical recoveries or better. In addition, two of the tests were conducted using unprocessed water collected at the Authier site with similar results to tap water.

Table 1 – Results from the Phase 3 Metallurgical Testing Program (November 2017)

Sample	Description	Concentrate Grade %Li <sub>2</sub> O	Metallurgical Recovery %
F1	Grind 180µ, tap water	6.30	74
F2	Grind 150µ, tap water	6.03	81
F3	Grind 180µ, Authier site water	6.10	80
F4	Grind 150µ, Authier site water	5.95	80

The new results follow the very good results achieved during the second phase metallurgical testing program in August 2017 – see Table 2.

Table 2 – Best Results from Phase 2 Metallurgical Testing Program (August 2017)

Sample	Description	Concentrate Grade %Li <sub>2</sub> O	Metallurgical Recovery %
F6	2 <sup>nd</sup> -Cleaner Flotation Concentrate	6.32	83
	1 <sup>st</sup> -cleaner Flotation concentrate	5.95	85
F8	2 <sup>nd</sup> -Cleaner Flotation Concentrate	6.58	83
	1 <sup>st</sup> -cleaner Flotation concentrate	6.31	85

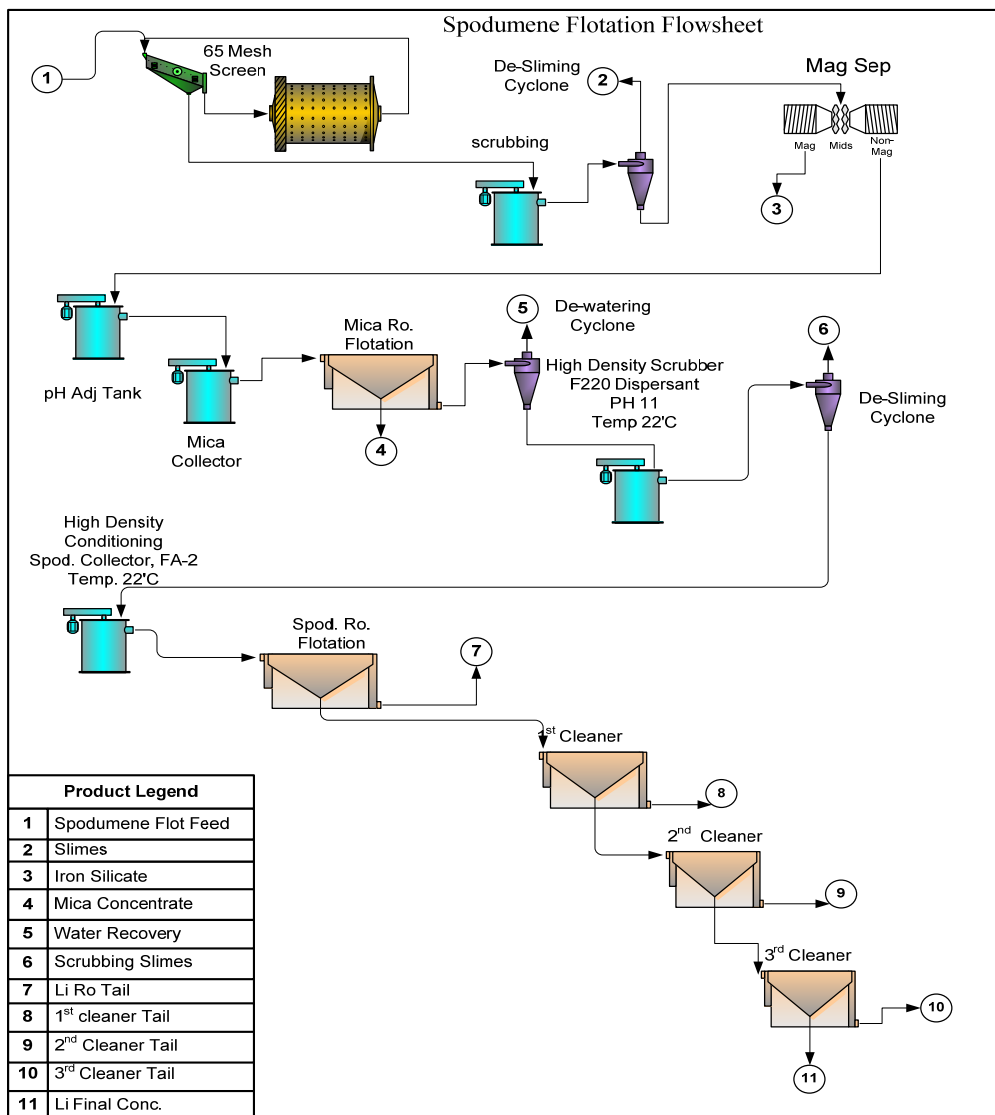
The metallurgical testing program was undertaken with a new representative sample from the Authier deposit. The new sample represents both the expected feed grade and expected mineralogy of the deposit over the life-of-mine.

The new results will be incorporated into the Definitive Feasibility Study. A new diamond drilling program is underway and will provide approximately 5 tonnes of drill core to be used on a pilot scale metallurgical testing program.

### Phase 3 Metallurgical Testing Program Overview

The objective of the Phase 3 metallurgical testing was to assess flotation performance with Authier project site water. The testing program was completed at SGS Lakefield.

The two most recent phases of metallurgical testing have included variations in the grind size, flotation residence times, reagent dosages, adjustments to magnetic intensity, using unprocessed Authier site water, and assessing the impact of waste dilution on metallurgical outcomes. The objective of the programs is to improve on the February 2017 Pre-Feasibility Study assumptions of a 5.75% concentrate at 80% metallurgical recovery. The new metallurgical testing program was undertaken with a new representative sample of the Authier deposit from drill core from the Company's Phase 1 and 2 diamond drilling programs. The new sample represents the average grade and expected mineralogy of the deposit over the life-of-mine. The sample was collected from three diamond drill cores and totaled approximately 63 kilograms.



**Figure 1:** Flow sheet used for the September and November 2017 flotation testing programs at SGS Lakefield

For more information, please contact:

Chief Executive Officer

Phone: +61 (7) 3369 7058

Email: [info@sayonamining.com.au](mailto:info@sayonamining.com.au)

Sayona Mining Limited is an Australian, ASX-listed (SYA), company focused on sourcing and developing the raw materials required to construct lithium-ion batteries for use in the rapidly growing new and green technology sectors.

The Company's primary focus is the development of the advanced stage Authier lithium project in Quebec, Canada. Authier mineralisation is hosted in a spodumene-bearing pegmatite intrusion with more than 22,000 metres of drilling in 139 holes.

The Authier JORC (2012) compliant Ore Reserve and Mineral Resource estimates are tabulated below at a 0.45% Li<sub>2</sub>O cut-off grade.

Authier JORC Ore Reserve Estimate (0.45% Li <sub>2</sub> O cut-off grade)			
Category	Tonnes (Mt)	Grades (%Li <sub>2</sub> O)	Contained Li <sub>2</sub> O
Proven Reserve	4.9	0.97%	47,821
Probable Reserve	5.3	1.06%	55,904
<b>Total Reserves</b>	<b>10.2</b>	<b>1.02%</b>	<b>103,725</b>
Note: The Ore Reserve is based on the February 2017 Mineral Resource estimate and February 2017 Feasibility Study			

Authier JORC Mineral Resources Estimate (0.45% Li <sub>2</sub> O cut-off grade)			
Category	Tonnes (Mt)	Grades (% Li <sub>2</sub> O)	Contained Li <sub>2</sub> O
Measured	5.62	1.01%	56,762
Indicated	9.57	1.03%	98,571
Inferred	2.21	0.99%	21,879
<b>Total Resources</b>	<b>17.4</b>	<b>1.02%</b>	<b>177,212</b>

Authier is amenable to simple open-cut mining and processing methods, and is situated in close proximity to development infrastructure. The Company is currently completing an updated Pre-feasibility Study, due for completion in 3Q0217, prior to the commencement of a Definitive Feasibility Study which is planned to be completed in early 2018.

In addition, the Company controls a portfolio of lithium and graphite exploration projects in Western Australia.

## COMPETENT PERSON STATEMENT

The information in this report that relates to Exploration Results is based on information compiled by Dr Gustavo Delendatti, a member of the Australian Institute of Geoscientists. Dr Delendatti is an independent consultant, and has sufficient experience which is relevant to the style of mineralisation and type of deposit under consideration and to the activity

which it is undertaking to qualify as a Competent Person as defined in the JORC Code (2012 Edition) of the "Australasian Code for Reporting of Exploration Results, Mineral Resources and Ore Reserves." Dr Delendatti was responsible for the design and conduct of the most recent Sayona exploration drilling campaigns (Stage 2, 4,104 metres and stage 1, 3,926 metres), supervised the preparation of the technical information and audit of all the historical drilling data contained in this release and has relevant experience and competence of the subject matter. Dr Delendatti, as competent person for this announcement, has consented to the inclusion of the information in the form and context in which it appears herein.

## JORC TABLES

Criteria	JORC Code explanation	Commentary
<i>Sampling techniques</i>	<ul style="list-style-type: none"> <li><i>Nature and quality of sampling (eg cut channels, random chips, or specific specialised industry standard measurement tools appropriate to the minerals under investigation, such as down hole gamma sondes, or handheld XRF instruments, etc). These examples should not be taken as limiting the broad meaning of sampling.</i></li> <li><i>Include reference to measures taken to ensure sample representivity and the appropriate calibration of any measurement tools or systems used.</i></li> <li><i>Aspects of the determination of mineralisation that are Material to the Public Report.</i></li> <li><i>In cases where 'industry standard' work has been done this would be relatively simple (eg 'reverse circulation drilling was used to obtain 1 m samples from which 3 kg was pulverised to produce a 30 g charge for fire assay'). In other cases more explanation may be required, such as where there is coarse gold that has inherent sampling problems. Unusual commodities or mineralisation types (eg submarine nodules) may warrant disclosure of detailed information.</i></li> </ul>	<ul style="list-style-type: none"> <li>All holes reported in this program have been Diamond Core Drill holes (DDH)</li> <li>Diamond core typical sample length is 1.0 metre starting 2 to 3 metres above and below of the contact of the pegmatite with the barren host rock.</li> <li>High to low grade lithium-bearing mineralisation (spodumene) is visible during geological logging and sampling.</li> <li>The core selected for sampling was split and samples of half core were dispatched to a certified commercial laboratory for preparation and analysis of lithium according to industry standard practices.</li> <li>Sample preparation and assaying techniques are within industry standard and appropriate for this type of mineralisation.</li> </ul>
<i>Drilling techniques</i>	<ul style="list-style-type: none"> <li><i>Drill type (eg core, reverse circulation, open-hole hammer, rotary air blast, auger, Bangka, sonic, etc) and details (eg core diameter, triple or standard tube, depth of diamond tails, face-sampling bit or other type, whether core is oriented and if so, by what method, etc).</i></li> </ul>	<ul style="list-style-type: none"> <li>Core drilling, core diameter size HQ. Standard tube and bit.</li> <li>Core was oriented using a Reflex ACT III tool.</li> <li>All core drilling before 2016 was NQ core diameter size, standard tube and bit, not oriented.</li> </ul>
<i>Drill sample recovery</i>	<ul style="list-style-type: none"> <li><i>Method of recording and assessing core and chip sample recoveries and results assessed.</i></li> <li><i>Measures taken to maximise sample recovery and ensure representative nature of the samples.</i></li> <li><i>Whether a relationship exists between sample recovery and grade and whether sample bias may have occurred due to preferential loss/gain</i></li> </ul>	<ul style="list-style-type: none"> <li>Diamond drill hole core recoveries and RQD are logged. Measurements are taken systematically down hole between core blocks i.e. ~3 metre increments.</li> <li>Core recovery has been above 99%.</li> <li>Based on drilling method being diamond core and the near 100% core recovery the sampling is representative.</li> </ul>

Criteria	JORC Code explanation	Commentary
	<p><i>of fine/coarse material.</i></p>	<ul style="list-style-type: none"> <li>• High competence of the core tends to preclude any potential issue of sampling bias</li> </ul>
<p><i>Logging</i></p>	<ul style="list-style-type: none"> <li>• <i>Whether core and chip samples have been geologically and geotechnically logged to a level of detail to support appropriate Mineral Resource estimation, mining studies and metallurgical studies.</i></li> <li>• <i>Whether logging is qualitative or quantitative in nature. Core (or costean, channel, etc) photography.</i></li> <li>• <i>The total length and percentage of the relevant intersections logged.</i></li> </ul>	<ul style="list-style-type: none"> <li>• Geological loggings, RQD measurements and recording of alpha and beta angles of oriented structures were conducted. Diamond core was oriented using reflex tool completed for all holes done in 2016 and 2017 by Sayona.</li> <li>• Geological logging of main characteristics such as rock type, spodumene abundance and grain size, mica abundance, etc has occurred in summary and detail at the pegmatite intervals and surrounding host rock.</li> <li>• Detailed geotechnical logging including RQD, orientation data (alpha and beta angles) for structures (faults, fractures, etc), point load tests (1 each 10 metres average) has also been undertaken.</li> <li>• The geological and geotechnical logging is at an appropriate level for the stage of development drilling being undertaken.</li> <li>• The logging of the geological features was predominately qualitative. Parameters such as spodumene abundance and spodumene grain size are visual estimates by the logging geologist.</li> <li>• Core is photographed after metre marks and sample intervals have been clearly marked on the core. The core was photographed dry and wet. The core boxes were identified with Box Number, Hole ID, From and To using aluminum tags.</li> <li>• The entire target mineralisation type core (spodumene pegmatite) and surrounding barren host rock has been logged, sampled and assayed. The footwall and hanging wall barren host rock has been summary logged.</li> </ul>
<p><i>Sub-sampling techniques and sample preparation</i></p>	<ul style="list-style-type: none"> <li>• <i>If core, whether cut or sawn and whether quarter, half or all core taken.</i></li> <li>• <i>If non-core, whether riffled, tube sampled, rotary split, etc and whether sampled wet or dry.</i></li> <li>• <i>For all sample types, the nature, quality and appropriateness of the sample preparation technique.</i></li> <li>• <i>Quality control procedures adopted for all sub-sampling stages to maximise representivity of samples.</i></li> <li>• <i>Measures taken to ensure that the sampling is representative of the in situ material collected, including for instance results for field duplicate/second-half sampling.</i></li> <li>• <i>Whether sample sizes are appropriate to the</i></li> </ul>	<ul style="list-style-type: none"> <li>• Drill core /HQ diameter samples cut to two halves with one half placed in a new plastic bag along with the sample tag sent for analysis; the other half was replaced in the core box with the second sample tag for reference.</li> <li>• Sampling boundaries are based in geological contacts of spodumene-bearing pegmatite with host rock.</li> <li>• In general at least two host rock sample were collected each side from the contacts with the mineralised pegmatite.</li> <li>• Sample preparation of drill core samples collected during the 2017 drilling program completed at the SGS Canada Inc laboratory ("SGS") facilities in Sudbury, Ontario follows industry best practice, involving oven drying,</li> </ul>

Criteria	JORC Code explanation	Commentary
	<p><i>grain size of the material being sampled.</i></p>	<p>crushing and pulverizing there to respect the specifications of the analytical protocol and then shipped to SGS Mineral Services laboratories in Lakefield, Ontario, for analysis</p> <ul style="list-style-type: none"> <li>• Sample sizes are considered appropriate with regard to the grain size of the sampled material</li> <li>• For sample preparation and sub-sampling techniques details of drill core samples before 2016 please refer to Table 1 of ASX release “Authier Lithium Project JORC Resource Estimate” 7 July 2016.</li> </ul>
<p><i>Quality of assay data and laboratory tests</i></p>	<ul style="list-style-type: none"> <li>• <i>The nature, quality and appropriateness of the assaying and laboratory procedures used and whether the technique is considered partial or total.</i></li> <li>• <i>For geophysical tools, spectrometers, handheld XRF instruments, etc, the parameters used in determining the analysis including instrument make and model, reading times, calibrations factors applied and their derivation, etc.</i></li> <li>• <i>Nature of quality control procedures adopted (eg standards, blanks, duplicates, external laboratory checks) and whether acceptable levels of accuracy (ie lack of bias) and precision have been established.</i></li> </ul>	<ul style="list-style-type: none"> <li>• Assaying of all 2016 drilling sample received at SGS were processed according to the following procedure at the SGS preparation facilities in Sudbury, Ontario. All samples are inspected and compared to the chain of custody (COC) and logged into the SGS laboratory management system, then weighted and dried. Sample material is crushed to 75% passing 10 mesh (2mm), split to obtain a 250 g sub-sample which is then pulverized to 85% passing 200 mesh (75 microns).</li> <li>• The analyses of all 2017 and 2016 drilling sample were conducted at the SGS laboratory located in Lakefield, Ontario, which is an accredited laboratory under ISO/IEC 17025 standards accredited by the Standards Council of Canada.</li> <li>• The analytical protocol used at SGS Lakefield is the GE ICP90A 29 element analysis - sodium peroxide fusion, which involves the complete dissolution of the sample in molten flux for ICP-AES analysis. The detection limits for Li are 10 ppm (lower) and 10,000 ppm (upper).</li> <li>• No geophysical or handheld tools were used.</li> <li>• Quality control protocol (“QA/QC”) involve a review of laboratory supplied internal QA/QC and in-house controls consisting in the insertion of in-house reference standards (high and low grade, prepared with material of the project and certified by lab round-robin) and samples of “barren” material (blanks), on a systematic basis with the samples shipped to SGS.</li> <li>• For Quality of Assay Data and Laboratory Tests of all samples before 2016 please refer to Table 1 of ASX release “Authier Lithium Project JORC Resource Estimate” 7 July 2016.</li> </ul>
<p><i>Verification of sampling and assaying</i></p>	<ul style="list-style-type: none"> <li>• <i>The verification of significant intersections by either independent or alternative company personnel.</i></li> <li>• <i>The use of twinned holes.</i></li> <li>• <i>Documentation of primary data, data entry</i></li> </ul>	<ul style="list-style-type: none"> <li>• All the pegmatite intersections and assay results have been reviewed by the Competent Person and Sayona’s geologist and personnel.</li> <li>• Lithium (ppm) reported in assays is converted to Li<sub>2</sub>O by multiply Li (ppm) X 2.153 (conversion</li> </ul>

Criteria	JORC Code explanation	Commentary
	<p><i>procedures, data verification, data storage (physical and electronic) protocols.</i></p> <ul style="list-style-type: none"> <li>• <i>Discuss any adjustment to assay data.</i></li> </ul>	<p>factor)</p> <ul style="list-style-type: none"> <li>• The entire drilling program conducted by Sayona in 2016 was logged by 2 geologists, a Sayona’s employee and Sayona’s Competent Person using technicians from the Company contracted Services Forestiers et d’Exploration GFE (“Services GFE”). Services GFE provided the office, core logging and storage facilities to the Company which are located less than 4 km southeast from the Authier project near the town of La Motte.</li> <li>• The core boxes were photographed and are available for verification at Services GFE storage facilities less than 4 km southeast from the Authier project.</li> <li>• No twinned holes were drilled during this 2016 drilling campaign by Sayona.</li> <li>• Primary data was recorded on laptop computers directly into standardized Excel logging templates with built in look-up codes. This information is merged with the assay certificate data into a Sayona’s in-house database</li> <li>• No adjustments to assay data have been undertaken.</li> <li>• For Verification of Sampling and Assaying details of all samples before 2016 please refer to Table 1 of ASX release “Authier Lithium Project JORC Resource Estimate” 7 July 2016.</li> </ul>
<p><i>Location of data points</i></p>	<ul style="list-style-type: none"> <li>• <i>Accuracy and quality of surveys used to locate drill holes (collar and down-hole surveys), trenches, mine workings and other locations used in Mineral Resource estimation.</i></li> <li>• <i>Specification of the grid system used.</i></li> <li>• <i>Quality and adequacy of topographic control.</i></li> </ul>	<ul style="list-style-type: none"> <li>• Drill collar locations coordinates were surveyed using handheld Garmin GPS. Drill collar will be surveyed by professional surveyor at the end of this drilling campaign.</li> <li>• Collar positions previous to 2016 have been surveyed and the survey values are recorded as the final coordinates and hole orientation in the database by an independent and qualified land surveyor.</li> <li>• Downhole surveys (dip and azimuth) were collected as multiple shot readings using a Gyro tool for deep holes AL-17-03 to AL-17-08; AL-17-13 to AL-17-14; AL-17-22, AL-17-26 and AL-17-28. Downhole surveys (dip and azimuth) were collected as multiple shot readings using a Reflex tool for deep holes AL-17-01 and AL-17-02. Azimuth readings were affected by rock magnetism therefore the reflex tool was replaced by gyro tool for deep holes. Downhole surveys we not done for shallow holes done in 2017. Holes AL-17-29 and AL-17-30 were not downhole surveyed because hole stability was compromised by faulting.</li> <li>• The grid system used is 1983 North American Datum (NAD83)</li> </ul>

Criteria	JORC Code explanation	Commentary
		<ul style="list-style-type: none"> <li>The level of topographic control offered by the collar survey is considered sufficient for the work undertaken at its current stage.</li> </ul>
<i>Data spacing and distribution</i>	<ul style="list-style-type: none"> <li><i>Data spacing for reporting of Exploration Results.</i></li> <li><i>Whether the data spacing and distribution is sufficient to establish the degree of geological and grade continuity appropriate for the Mineral Resource and Ore Reserve estimation procedure(s) and classifications applied.</i></li> <li><i>Whether sample compositing has been applied.</i></li> </ul>	<ul style="list-style-type: none"> <li>Drill holes were drilled perpendicular to the lithium mineralised pegmatite as shown on the attached plan.</li> <li>Drill collars were sited to provide the best geological information possible to test the grade, strike and vertical extensions of mineralisation.</li> <li>The data spacing is sufficient to estimate geological and grade continuity of observed mineralisation and therefore to produce a JORC compliant mineral resource estimate.</li> <li>Sample compositing has not been applied.</li> </ul>
<i>Orientation of data in relation to geological structure</i>	<ul style="list-style-type: none"> <li><i>Whether the orientation of sampling achieves unbiased sampling of possible structures and the extent to which this is known, considering the deposit type.</i></li> <li><i>If the relationship between the drilling orientation and the orientation of key mineralised structures is considered to have introduced a sampling bias, this should be assessed and reported if material.</i></li> </ul>	<ul style="list-style-type: none"> <li>Drilling grid orientation is perpendicular to the strike of the mineralisation determined by previous mapping and historical drilling.</li> <li>No bias attributable to orientation of sampling upgrading of results has been identified.</li> </ul>
<i>Sample security</i>	<ul style="list-style-type: none"> <li><i>The measures taken to ensure sample security.</i></li> </ul>	<ul style="list-style-type: none"> <li>All reasonable measures have been taken to ensure sample security along the value chain. These measures include the sample collection by company's field personnel, recording of sample dispatch and receipt reports, secure delivering of samples to SGS laboratory facilities.</li> <li>For details on Sample Security of all samples before 2016 please refer to Table 1 of ASX release "Authier Lithium Project JORC Resource Estimate" 7 July 2016.</li> </ul>
<i>Audits or reviews</i>	<ul style="list-style-type: none"> <li><i>The results of any audits or reviews of sampling techniques and data.</i></li> </ul>	<ul style="list-style-type: none"> <li>No audit or review of the sampling techniques and data for this release has been carried out.</li> <li>The quality control protocols implemented at Authier Lithium deposit are considered to represent good industry practice and allow some assessment of analytical precision and accuracy. The assay data is considered to display acceptable precision.</li> <li>For details on Audits or reviews of all samples before 2016 please refer to Table 1 of ASX release "Authier Lithium Project JORC Resource Estimate" 7 July 2016.</li> </ul>



## Section 2 - Reporting of Exploration Results

(Criteria listed in the preceding section also apply to this section.)

Criteria	JORC Code explanation	Commentary
<i>Mineral tenement and land tenure status</i>	<ul style="list-style-type: none"> <li>• <i>Type, reference name/number, location and ownership including agreements or material issues with third parties such as joint ventures, partnerships, overriding royalties, native title interests, historical sites, wilderness or national park and environmental settings.</i></li> <li>• <i>The security of the tenure held at the time of reporting along with any known impediments to obtaining a license to operate in the area.</i></li> </ul>	<ul style="list-style-type: none"> <li>• The Authier Lithium Property consists in one block of map designated claim cells located at the border between the La Motte Township and the Preissac Township, totaling 20 claims covering 674.89 ha. The Property extends 3.4 km in the east-west direction and 3.1 km north-south.</li> <li>• From the 20 claims composing the Property, 3 claims were acquired by staking on November 27, 2009 (CDC 21955725) and July 9, 2010 (CDC 2240226 and 2240227), 15 claims were acquired through two separate purchasing agreements and one claim is held under an option agreement. On March 17, 2017 Sayona signed an option-to-purchase agreement to acquire 100 % of tenement CDC 2187652 located along strike to the east of the main Authier deposit.</li> <li>• Sayona is conducting exploration work under valid intervention permits delivered by the Quebec Government, and there is no known environmental liabilities pertaining to the Property. Some of the claims containing mineral resources are subject to mining royalties</li> <li>• Approximately more than 75% of the mineral resources are present inside the 3 claims (CDC 2183454-2183455 and 2194819). About less than 25% of the estimated mineral resources are present inside the claim (CDC2116146).</li> <li>• The spodumene-bearing pegmatite intrusion is located on claims number CDC 2183455, 2194819 and 2116146, and extends at surface between approximately 707,050mE and 707,775mE in the East-West direction, and between 5,359,975 mN and 5,360,275 mN in the North-South direction.</li> <li>• The Property is adjacent to a protected area reserved for groundwater catchment supply located just the north of the Property, which has been excluded for exploration and mining activities.</li> <li>• Sayona is conducting exploration work under valid forest intervention permit delivered by the provincial Ministère des Ressources Naturelles et de la Faune ("MRNF"). As of the date of this report, the Company confirmed having valid work permits.</li> </ul>
<i>Exploration done by other parties</i>	<ul style="list-style-type: none"> <li>• <i>Acknowledgment and appraisal of exploration by other parties.</i></li> </ul>	<ul style="list-style-type: none"> <li>• The Property has been explored in the 1950's and 1960's for volcanic nickel-copper sulfides mineralisation, and later for lithium</li> </ul>

Criteria	JORC Code explanation	Commentary
		<p>mineralisation since the late 1960's with the discovery of a significant spodumene-bearing pegmatite intrusion. The Property saw significant amount of exploration work between 1966 and 1980 with delineation drilling programs from 1991 until 1999 with bulk sampling and metallurgical testing programs.</p> <ul style="list-style-type: none"> <li>• Drilling in the Authier deposit totals 19,513 metres of diamond drilling in 137 holes.</li> <li>• The project was initially drilled between 1991 and 1999, and then by Glen Eagle between 2010 and 2012.</li> <li>• In 2010, Glen Eagle secured the mining rights and completed exploration work as well as 1,905 m of diamond drilling totaling 18 holes targeting the deposit. During 2011, Glen Eagle drilled a total of 4,051 m mainly on the Authier pegmatite deposit and other areas. In 2012, Glen Eagle drilled a total of 3,034 m mainly on the Authier Pegmatite deposit and other areas.</li> <li>• Sayona has completed two phases of drilling totalling 8,071 metres of drilling in 49 holes (includes 12 holes for 639 metres at Authier North).</li> </ul>
<i>Geology</i>	<ul style="list-style-type: none"> <li>• <i>Deposit type, geological setting and style of mineralisation.</i></li> </ul>	<ul style="list-style-type: none"> <li>• The deposit is hosted in a spodumene-bearing pegmatite intrusion. The deposit is 1,100 metres long, striking east-west, with an average thickness of 25 metres, minimum 4 metres and maximum 65 metres, dipping 40 degrees to the north.</li> </ul>
<i>Drill hole Information</i>	<ul style="list-style-type: none"> <li>• <i>A summary of all information material to the understanding of the exploration results including a tabulation of the following information for all Material drill holes:</i> <ul style="list-style-type: none"> <li>○ <i>easting and northing of the drill hole collar</i></li> <li>○ <i>elevation or RL (Reduced Level – elevation above sea level in metres) of the drill hole collar</i></li> <li>○ <i>dip and azimuth of the hole</i></li> <li>○ <i>down hole length and interception depth</i></li> <li>○ <i>hole length.</i></li> </ul> </li> <li>• <i>If the exclusion of this information is justified on the basis that the information is not Material and this exclusion does not detract from the understanding of the report, the Competent Person should clearly explain why this is the case.</i></li> </ul>	<ul style="list-style-type: none"> <li>• In 2017, Sayona drilled 4,104 metres in 31 diamond holes. The aim of the program was to extend the zones of mineralisation along strike and depth, improve the resource categories and explore the Authier north pegmatite, discovered during 2016 Stage 01 drilling by Sayona.</li> <li>• Drill hole details are reported in the body of this announcement as TABLE 3.</li> </ul>
<i>Data aggregation methods</i>	<ul style="list-style-type: none"> <li>• <i>In reporting Exploration Results, weighting averaging techniques, maximum and/or minimum grade truncations (eg cutting of high grades) and cut-off grades are usually Material and should be stated.</i></li> <li>• <i>Where aggregate intercepts incorporate short lengths of high grade results and longer lengths</i></li> </ul>	<ul style="list-style-type: none"> <li>• No weight averaging or high-grade cut has been applied to any of the sample assay results.</li> <li>• Reported intercepts have been calculated as arithmetic averages using a 0.45 % Li<sub>2</sub>O lower cutoff grade, as described in the body text of this release.</li> <li>• The majority of the lithium assay results show a</li> </ul>

Criteria	JORC Code explanation	Commentary
	<p><i>of low grade results, the procedure used for such aggregation should be stated and some typical examples of such aggregations should be shown in detail.</i></p> <ul style="list-style-type: none"> <li><i>The assumptions used for any reporting of metal equivalent values should be clearly stated.</i></li> </ul>	<p>simple normal population and it is not believed the reporting of intercepts is skewed by the inclusion of high and low grade results.</p> <ul style="list-style-type: none"> <li>Metal equivalent values have not been reported.</li> </ul>
<b>Relationship between mineralisation widths and intercept lengths</b>	<ul style="list-style-type: none"> <li><i>These relationships are particularly important in the reporting of Exploration Results.</i></li> <li><i>If the geometry of the mineralisation with respect to the drill hole angle is known, its nature should be reported.</i></li> <li><i>If it is not known and only the down hole lengths are reported, there should be a clear statement to this effect (eg 'down hole length, true width not known').</i></li> </ul>	<ul style="list-style-type: none"> <li>Drilling has been sited to intersect the lithium mineralisation orthogonally.</li> <li>Drilling widths reported are downhole intercept widths and true width is approximately 90 % of drilling width.</li> </ul>
<b>Diagrams</b>	<ul style="list-style-type: none"> <li><i>Appropriate maps and sections (with scales) and tabulations of intercepts should be included for any significant discovery being reported. These should include, but not be limited to a plan view of drill hole collar locations and appropriate sectional views.</i></li> </ul>	<ul style="list-style-type: none"> <li>Results of the Phase 2 Metallurgical Testing Program Drill hole details are reported in the body of this announcement as TABLE 1 and TABLE 2.</li> <li>A Collar Plan and typical cross-sections are presented in the body of the Sayona's PFS ASX releases dated on February 16, 2017.</li> </ul>
<b>Balanced reporting</b>	<ul style="list-style-type: none"> <li><i>Where comprehensive reporting of all Exploration Results is not practicable, representative reporting of both low and high grades and/or widths should be practiced to avoid misleading reporting of Exploration Results.</i></li> </ul>	<ul style="list-style-type: none"> <li>The reporting is considered to be balanced.</li> </ul>
<b>Other substantive exploration data</b>	<ul style="list-style-type: none"> <li><i>Other exploration data, if meaningful and material, should be reported including (but not limited to): geological observations; geophysical survey results; geochemical survey results; bulk samples – size and method of treatment; metallurgical test results; bulk density, groundwater, geotechnical and rock characteristics; potential deleterious or contaminating substances.</i></li> </ul>	<ul style="list-style-type: none"> <li>Sayona conducted 2 diamond drilling campaign since acquisition of Authier. The Sayona 2017 diamond drilling campaign was conducted after Sayona 2016 Stage 01 drilling campaign and the Glen Eagle 2010-2012 diamond drilling campaign which was preceded by prospecting, geochemical sampling and geophysical surveys that covered the Property targeted areas. This work confirmed the presence of several pegmatite occurrences across the Property having a similar geochemical signature to the main Authier pegmatite.</li> <li>The objective of the Phase 2 metallurgical testing was to improve the overall recovery and grade of the project through optimization of the flotation process. The test work also aimed to reduce processing operating costs. The testing program was managed by DRA/Met-Chem and the test work was completed at SGS Lakefield.</li> <li>The new metallurgical testing program was undertaken with a new representative sample of the Authier deposit from drill core. The new sample represents the average grade and expected mineralogy of the deposit over the life-</li> </ul>

Criteria	JORC Code explanation	Commentary
		<p>of-mine. The sample was collected from four diamond drill cores and totaled approximately 52 kilograms.</p> <ul style="list-style-type: none"> <li>• Additional metallurgical testwork / flowsheet optimisation is planned for the Definitive Feasibility Study. Sayona will further evaluate flowsheet variability performance based on weathering and lithology domains.</li> </ul>
<i>Further work</i>	<ul style="list-style-type: none"> <li>• <i>The nature and scale of planned further work (eg tests for lateral extensions or depth extensions or large-scale step-out drilling).</i></li> <li>• <i>Diagrams clearly highlighting the areas of possible extensions, including the main geological interpretations and future drilling areas, provided this information is not commercially sensitive.</i></li> </ul>	<ul style="list-style-type: none"> <li>• Sayona’s Project Development strategy is detailed as follows: <ul style="list-style-type: none"> <li>○ Converting the inferred mineral resources to measured and indicated through further higher density drilling;</li> <li>○ Infill drilling within the main deposit where there is no resource due the low drilling density especially in the east and west extension, and to add the resource base;</li> <li>○ Exploring for extensions to the existing mineral resources and other potential mineralisation within the tenement package;</li> <li>○ Consolidating other potential resources / mineralisation in the district;</li> </ul> </li> <li>• Completion of Environmental studies and Definitive Feasibility Studies;</li> <li>• Negotiating production off-take agreements; and</li> <li>• Sourcing development finance and constructing the project.</li> </ul>